

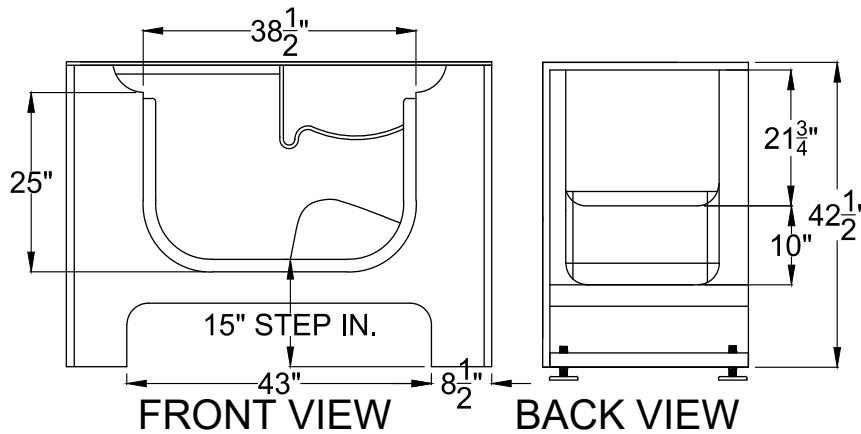
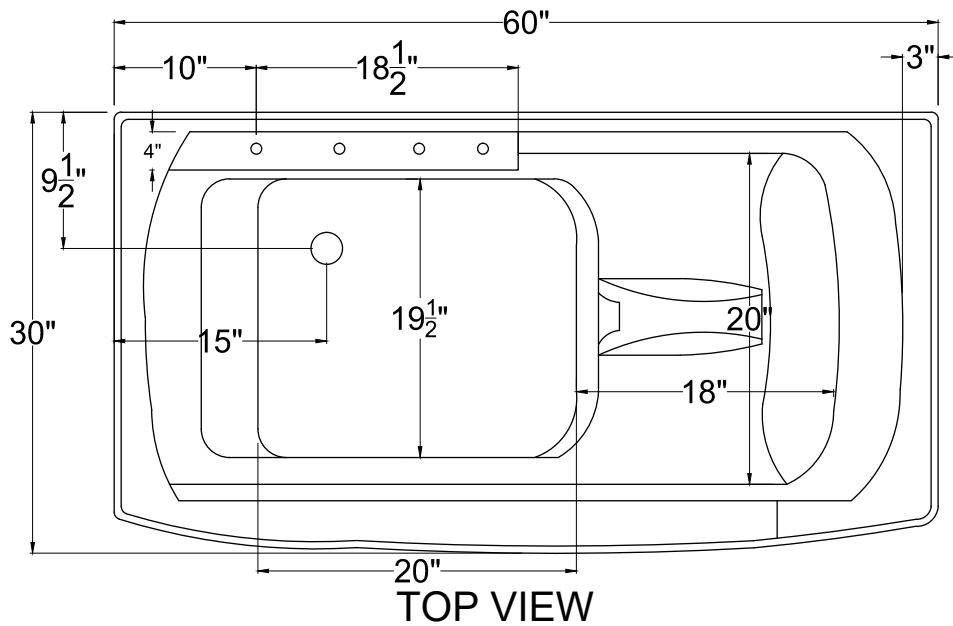


**HOYER LIFT
ACCESS**



3060WCA

WHEELCHAIR-ACCESSIBLE • TILE FLANGE NOT INCLUDED



Meditub's 30x60WCA (Wheelchair Accessible) Slide-In Tub is constructed of the highest grade fiberglass composites with a triple gel coat finish for beauty and durability. The 30x60WCA Slide-In Tub is perfect for new construction and retro fitting because of its industry standard size. It comes with a stainless steel frame for a long lasting strength and adjustable feet for easy installation and leveling.



UNIT COLORS:

-  white
-  biscuit




TRIM COLORS:

-  chrome
-  color-matched



OPTIONS:

- soaker
- air therapy
- hydro therapy
- dual therapy

ACCESSORIES:

-  chromatherapy
-  aromatherapy
-  autodrain

DOOR / DRAIN SIDE OPTIONS:

-  left
-  right

Available Colors.....	White / Biscuit	Air System Available	Yes
Material	Gelcoat	Hydro System Available	Yes
Door Swing	Outward	Dual System Available	Yes
Enclosed on three sides.....	Yes	Non Slip Floor	Yes
Dimensions.....	30(W)x60(L)x42(H)	Faucet Deck	Yes
Seat	Yes	Capacity	80Gal
Seat Height	21"	Unit Weight	311Lbs
Seat Contoured.....	Yes	Approx Shipping Weight.....	331Lbs

