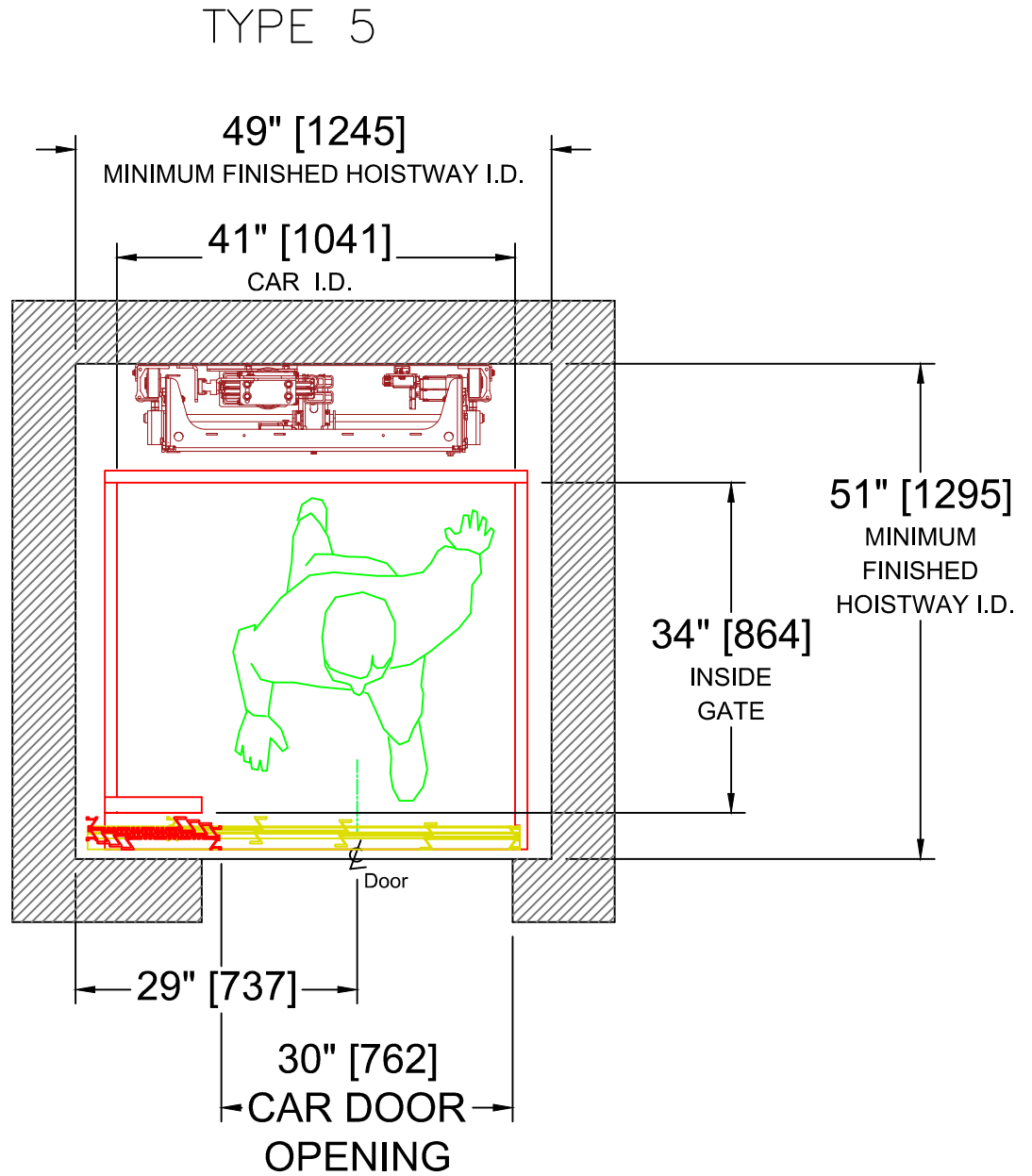
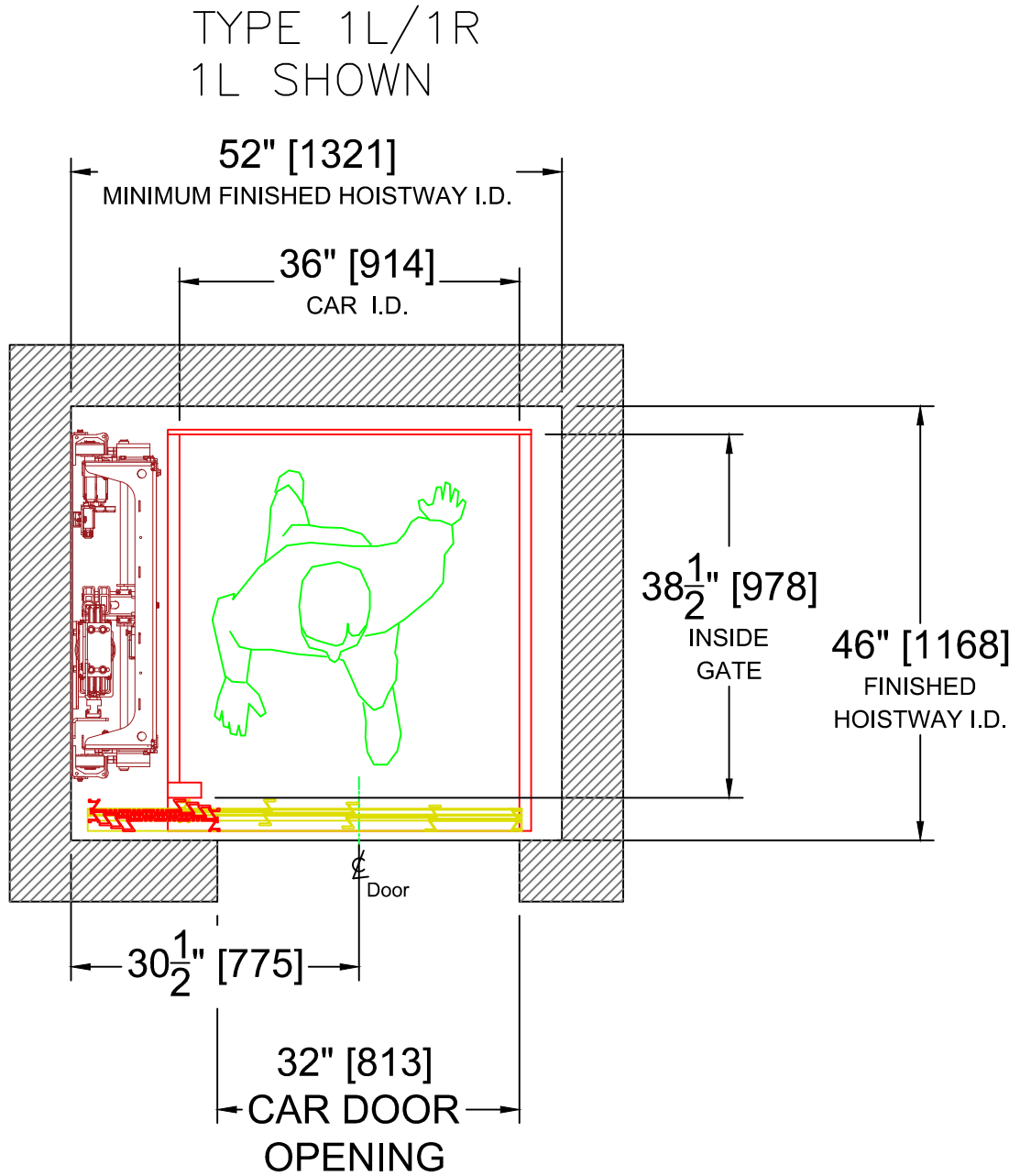


MINIMUM HOISTWAY REQUIREMENTS RESIDENTIAL 9501b CAPACITY



MINIMUM PIT DEPTH 8" [203]
MINIMUM OVERHEAD 96" [2438]

MINIMUM OVERHEAD VARIES WITH
CAB AND DOOR HEIGHT SELECTED AND
MANUAL/AUTO DOOR OPERATORS



RESIDENTIAL 9501b
MINIMUM REQUIREMENTS

DATE LAST MODIFIED:	DRAWING NO.	REV	SHEET NO.
25JAN21		0	1 OF 1